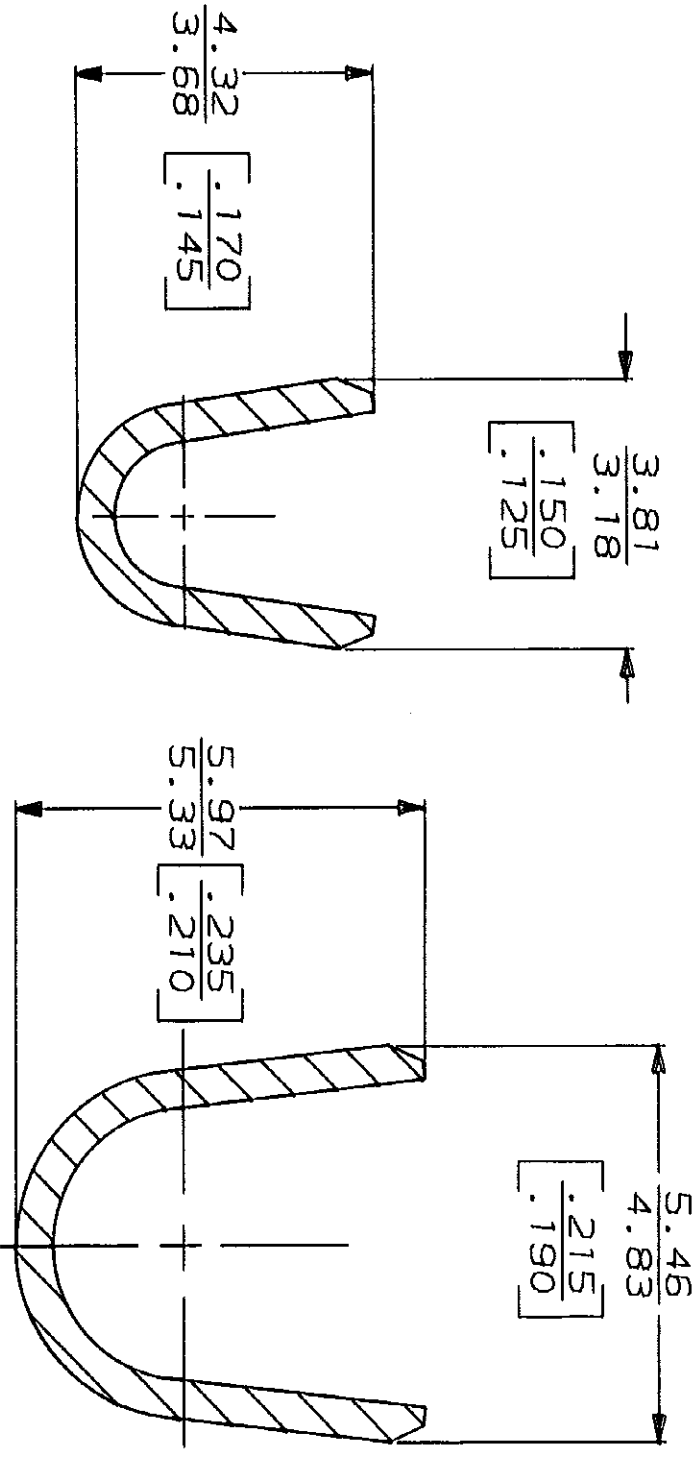
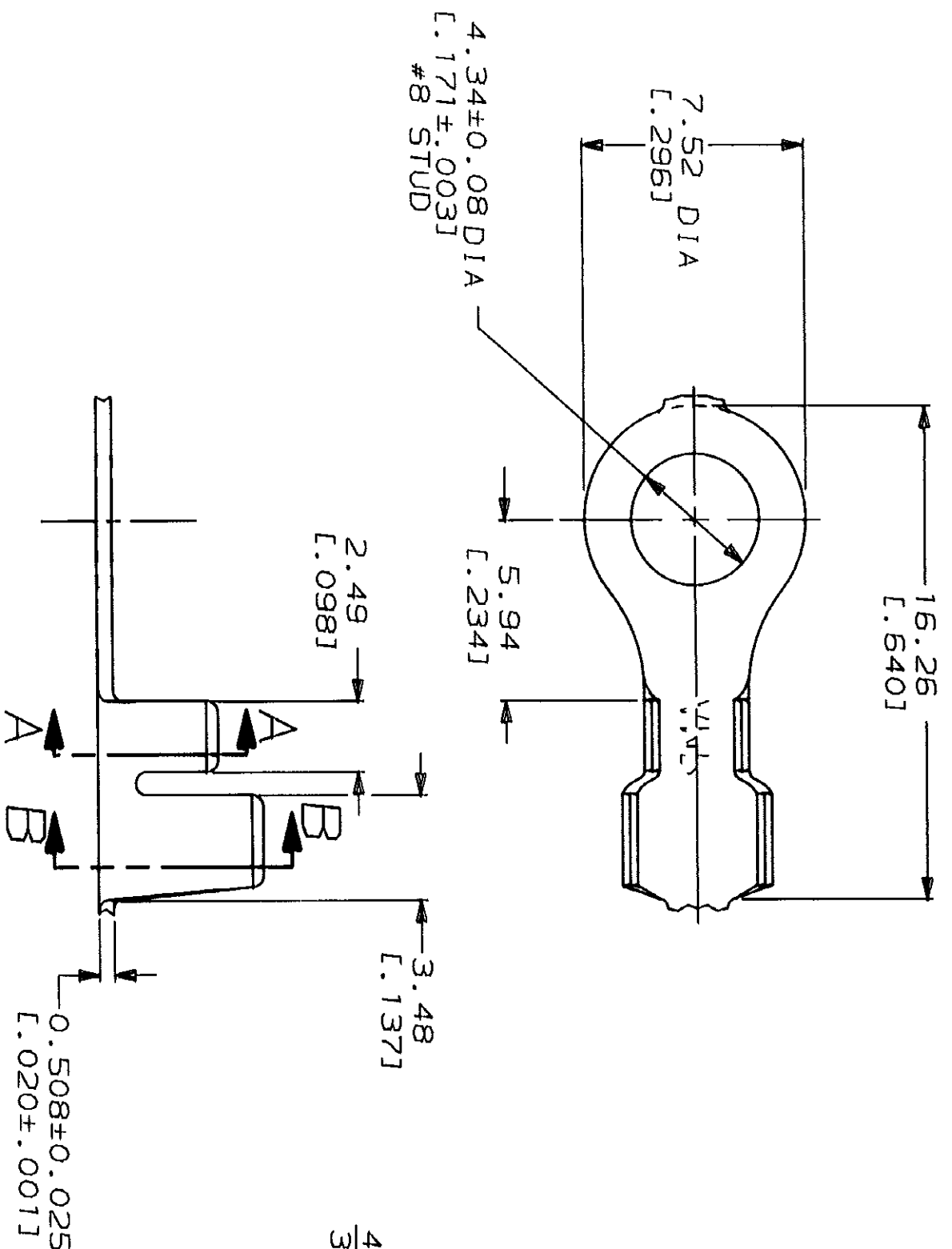


LOC	DIST	F	ZONE	LTR	DESCRIPTION	DATE	APPD
AF	50			M	REDRAWN AND SEPARATED FROM 40623 PER AF-7551	7/22/91	PF/GY

1 CONTINUOUS STRIP ON REEL.



SECTION A-A
 SCALE 10:1
 SECTION B-B
 SCALE 10:1

METRIOS

F OR 0	4.57 [0.180]	4.06 [0.160]	F	3.05 [0.120]	2.03 [0.080]	2.04 [0.080]	2.04 [0.080]
TYPE	WIDTH	STRIP LENGTH ±0.38 [±.015]	TYPE	WIDTH	±0.051 [±.002]	HEIGHT	WIRE
INSUL BARREL CRIMP			WIRE BARREL CRIMP		1.83 [0.072]	1.34 [0.052]	0.82 [0.032]

DO NOT SCALE PRINT. UNLESS SPECIFIED DIMENSIONS IN INCHES! TOLERANCES ON: 2 PLG DEC ± 0.25 [0.010] 3 PLG DEC ± - ANGLES - MATERIAL 082 BRASS	DR 7/22/91 P FORNEY	CHK 8/9/91 MS FEHR	APPD 8/12/91 G VETTER	APPD 8/12/91 R MERVILL	NAME AMP AMP Incorporated Harrisburg, PA 17105-3508
--	------------------------	-----------------------	--------------------------	---------------------------	---

3.05-4.32 DIA [0.120-.170]	0.8-2.0mm [18-14] AWG	41559
INSULATION RANGE	WIRE RANGE	PART NO
FINISH	APPLICATION SPEC	SCALE B
WEIGHT	SCALE 5:1	SHEET 1 OF 1

CUSTOMER DRAWING